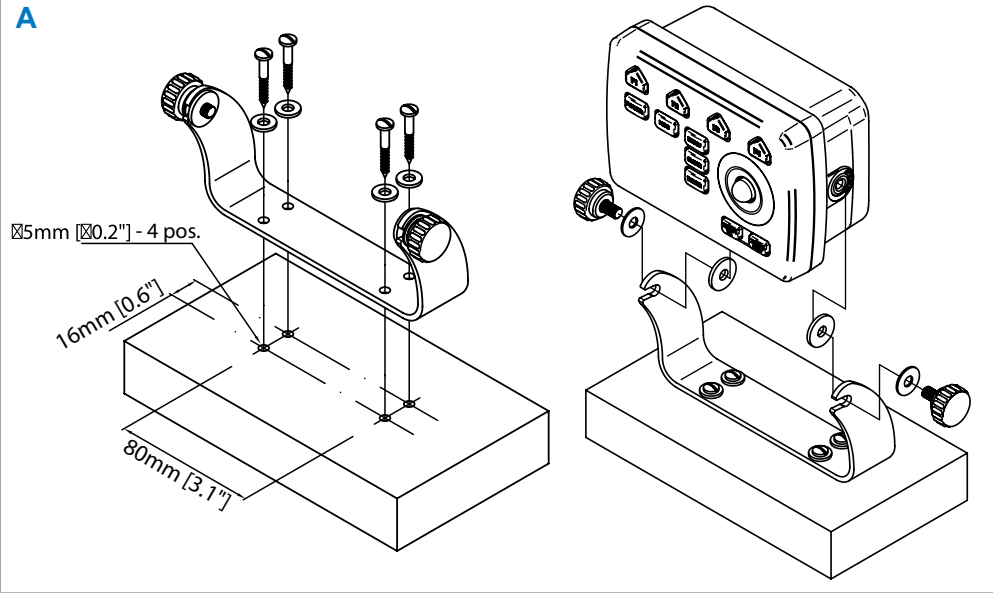
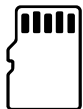
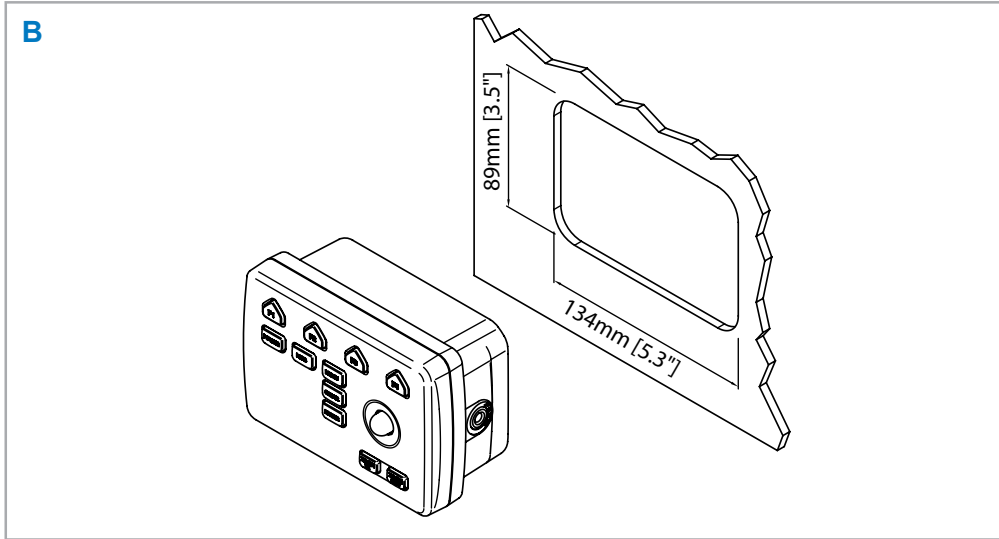


Installation

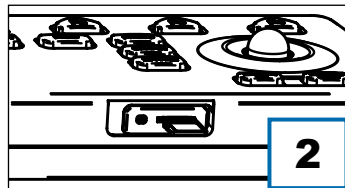
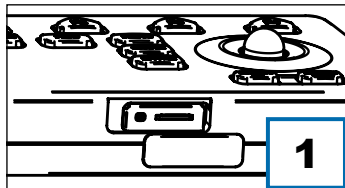
A



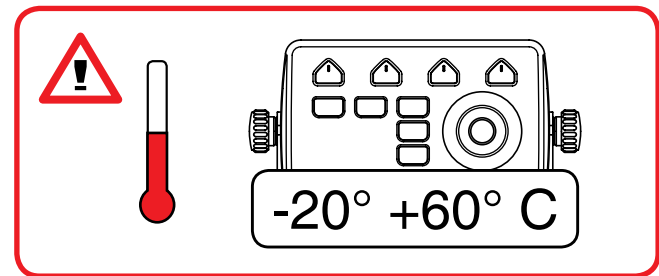
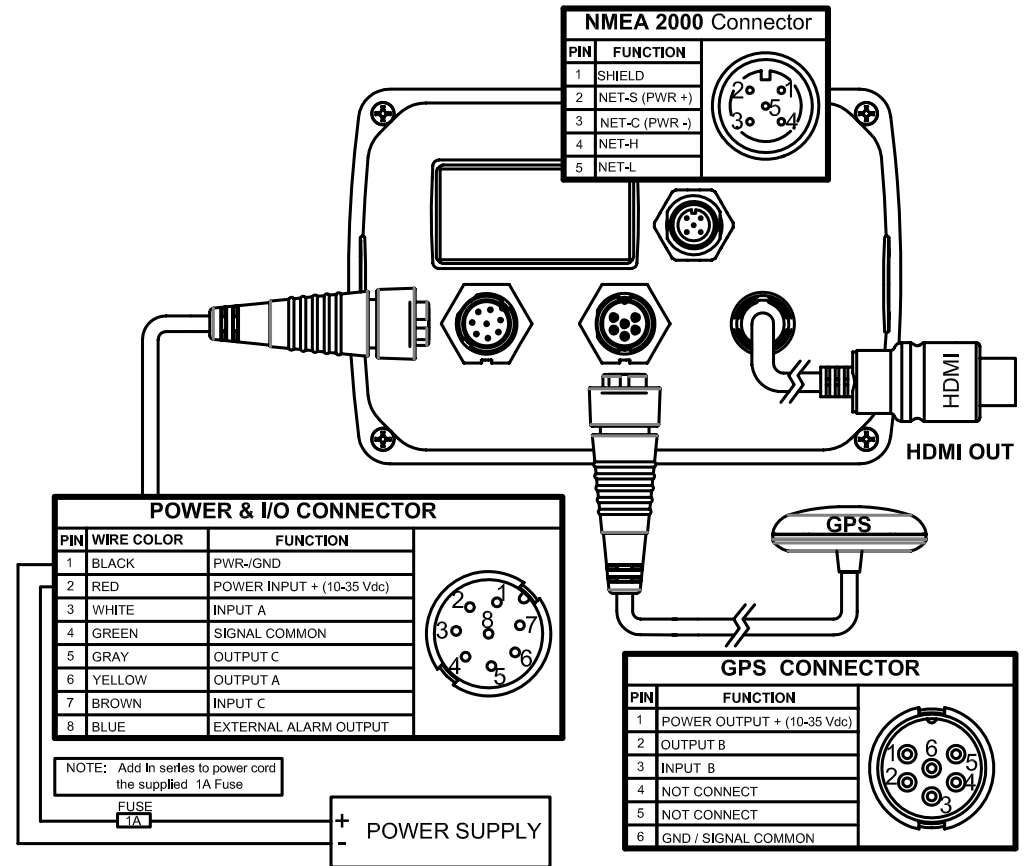
B



Inserting the micro SD card

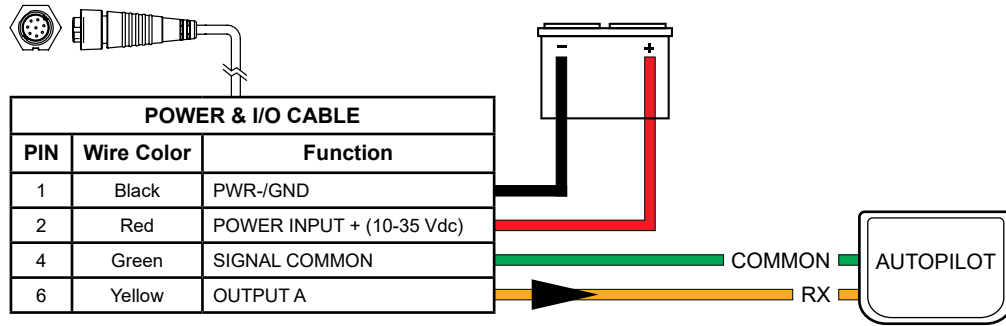


CONNECTION & INSTALLATION

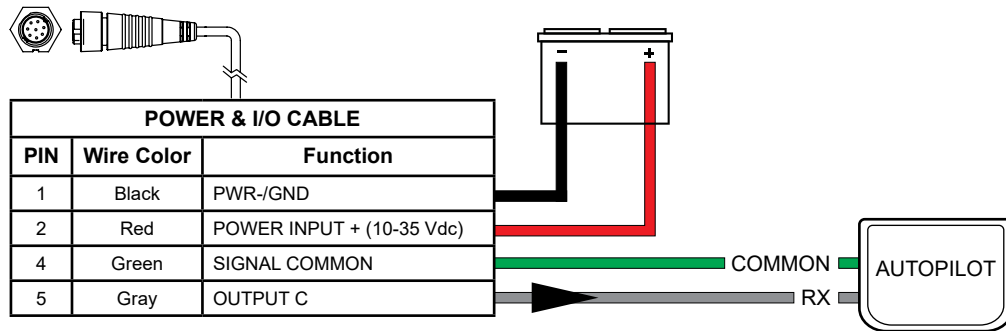


Autopilot connections

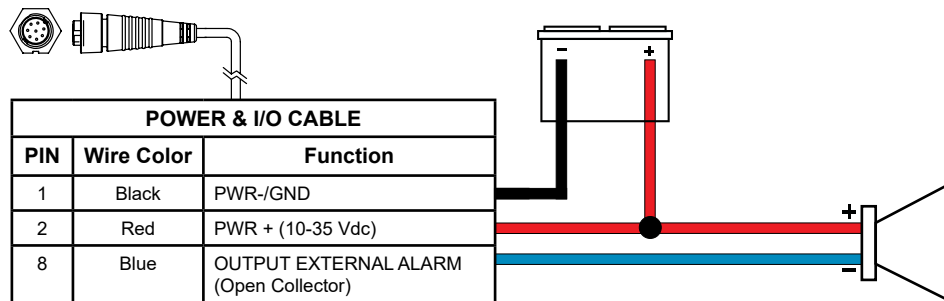
Autopilot on Port A



Autopilot on Port C



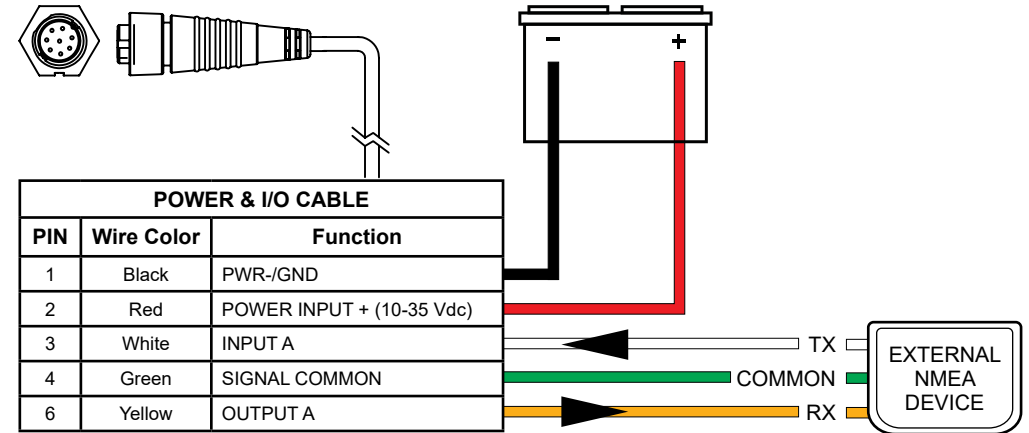
External alarm connection



Note: Current MAX 300 mA

NMEA0183 connections

External NMEA on Port A



External NMEA on Port C

